

Transceiver 1 Video Channel 1.5km



Active Transmitter
P/N: E10600T



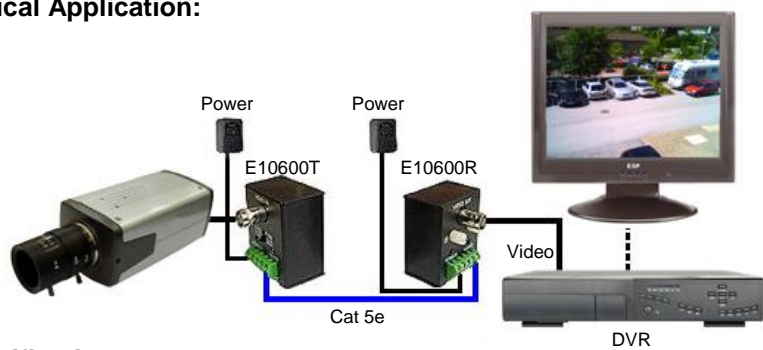
Active Receiver
P/N: E10600R

Application:

The video transmitter and receiver has been specifically designed to operate as pair to provide a cost effective solution for the transmission of video signals as from a CCTV camera up to a range of 1.5 Km without degradation to the picture quality. The range of the transmitter is switch selectable between 500 to 1500 metres and the receiver is provided with luma and chroma controls to further enhance picture quality.

A power pack is required for each unit, not supplied with the transceiver.

Typical Application:



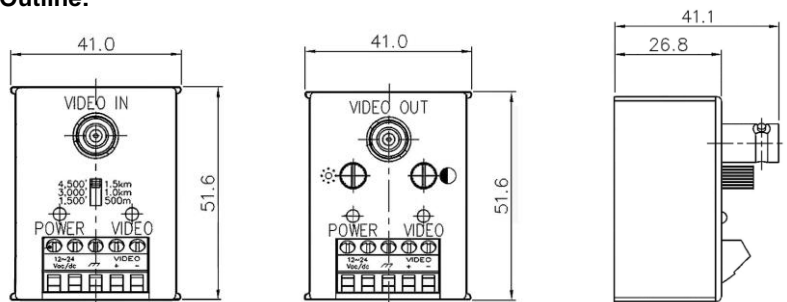
Specifications:

Bandwidth:	DC to 8 MHz
Video signal:	75 Ohm BNC, 100 Ohm to Terminal Block
Common Mode Rejection:	1.1 Vp-p max
Distance:	> 40 dB
Maximum distance color:	Setting is via a 3 position switch: 500m, 1Km, 1.5Km
Power:	To 1200 m (3900 ft) Cat 3 or < 1500 m (4900 ft) using Cat 5, 5e or 6 cable
Power on indication:	12/24V AC or DC Volts Maximum 50mA.
Video on indication:	Can use power supply for camera if supply is floating. i.e. not grounded
Operating Temperature:	Red
Casing:	Green
Dimensions:	0 to +55 °C RH 95% Non Condensing 12V AC/DC
	0 to +30 °C RH 95% Non Condensing 24V AC/DC
	Fire retardant plastic
	50 x 40 x 27.5 cm

Note 1: All specifications are typical and subject to change without notice.

2: Power supply used to power the Active Transmitter and Receiver must be separate and can be shared with camera if floating ie not grounded on either lead

Drawing Outline:



EQL Networks & Security

Unit 20, 13 Swaffham Road
Minto NSW 2566
Australia

Postal Address:
P.O. Box 351
Minto NSW 2566
Australia

Tel: +61 2 9824 5680
Fax: +61 2 9824 5685
Email: sales@eql.com.au
Web: www.eql.com.au

ABN: 93 098 402 218