

Power Through Baluns (E10700A Compatible)



BNC Male to RJ45 Jack with 2.1mm Power Plug
Part Number: E10184SP

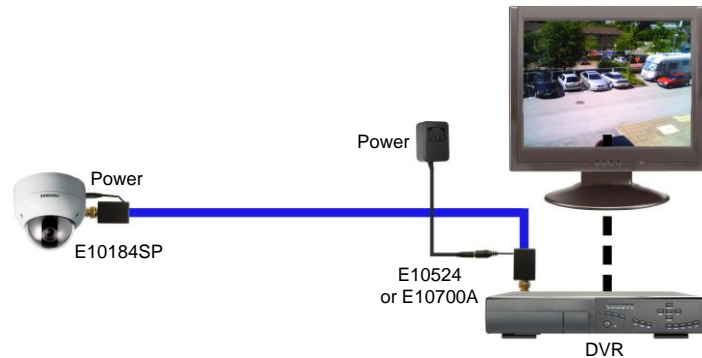
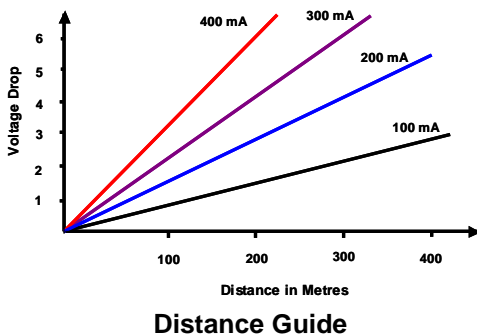
Features:

- BNC Male Power Through Video Balun.
- With 2.1 mm power plug.
- Feed AC or DC Power up Cat 5e Cable to Camera.
- Exceptional performance, High Reliability and Durability.
- Housed in a fire retardant wall mountable case.
- Uses 3 pairs of Cat 5e cable for power feed for maximum range.
- Passive device (no power supply required).
- Stable over working temperature between 0 °C to +55 °C.

Application:

In installations where power is not available at the camera end and Cat 5 cabling is used for backbone cabling, power can be fed to the camera using a combination of E10184SP Power Through Baluns to interconnect the camera using spare capacity on the Cat 5e cable with cost savings from 10% for cable runs of around 45 metres and more for longer cable runs.

The maximum distance between the camera and the hub depends on the power requirements of the camera. The figure to the left will serve as a guide in determining the approximate distance that can be achieved using these Power Through Video Baluns.



Specifications:

Bandwidth:	DC to 8 Mhz
Insertion Loss:	< 2 dB to 8 MHz
Impedance:	75 ohm BNC, 100 Ohm RJ45
Maximum Signal Voltage:	1.1 Vp-p
Cable Length:	100 mm
Return Loss:	> 15 dB to 8 MHz
Common Mode Rejection:	> 40 dB @ 8 MHz
Pinout for RJ45 Jack:	Video 7(+) / 8 (-) Power 1, 3, 5 (+) / 2, 4, 6 (-)
RJ45 Contacts:	Gold 50 micro inch
Temperature Range:	0 to 55 °C operating, 95% Relative Humidity
Casing:	Black Fire Retardant Plastic ABS UL 94V-0
Compatible with:	E10174 / E10524 / E10700A or E10184S (Video only)

Note: Specifications subject to change without notice.

EQL Networks & Security

Unit 20, 13 Swaffham Road
Minto NSW 2566
Australia

Postal Address:
P.O. Box 351
Minto NSW 2566
Australia

Tel: +61 2 9824 5680
Fax: +61 2 9824 5685
Email: sales@eql.com.au
Web: www.eql.com.au

ABN: 93 098 402 218